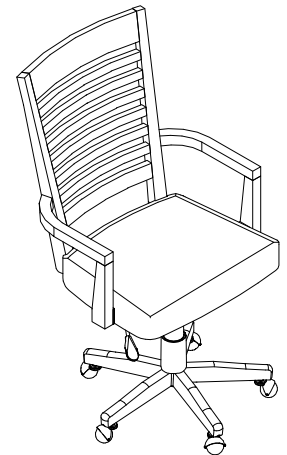


Warning :

- Be sure to check all packing material carefully for small parts, which may have come loose inside the carton during shipment.
- To prevent possible scratches and damage, this furniture **MUST BE ASSEMBLED BY TWO PEOPLE** on a soft surface such as a blanket or carpet.

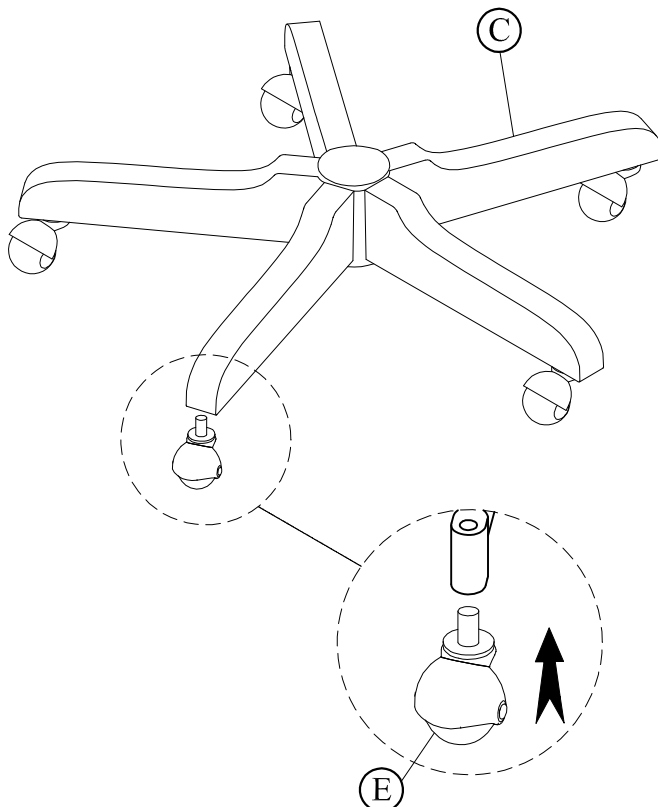


57738-57838
UPH Desk Chair

Components and Hardware List

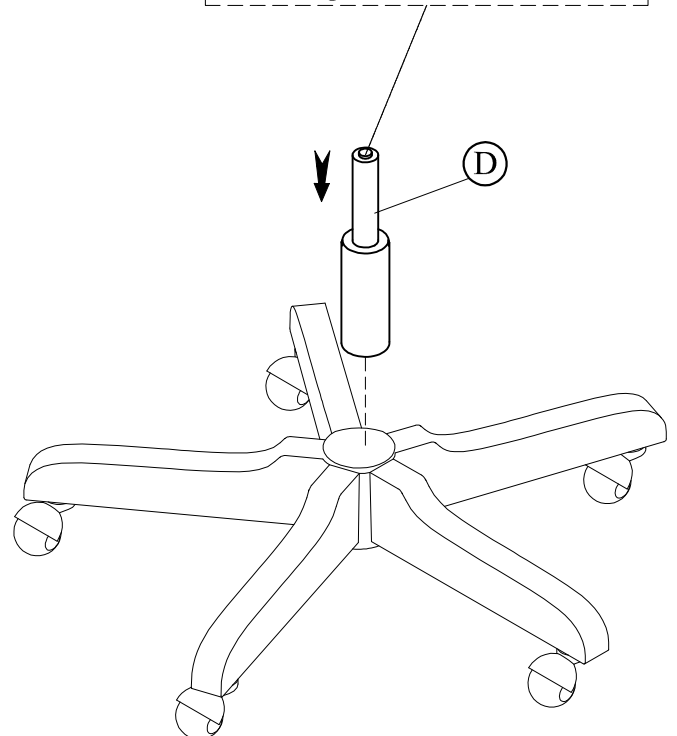
Seat and Back Frame	Seat Control	Cylinder Cover	Pneumatic Cylinder		
(A) 1 pc	(B) 1 pc	(C) 1 pc	(D) 1 pc		
Caster	Ø5/16" x 18 x 1-1/2" Allen Head Bolt	Ø5/16" x Ø13mm Spring Washer	Ø5/16" x Ø19mm Flat Washer	M4 x 2-1/2" Allen Key	
(E) 5 pcs	(F) 4 pcs	(G) 4 pcs	(H) 4 pcs	(I) 1 pc	

Step 1

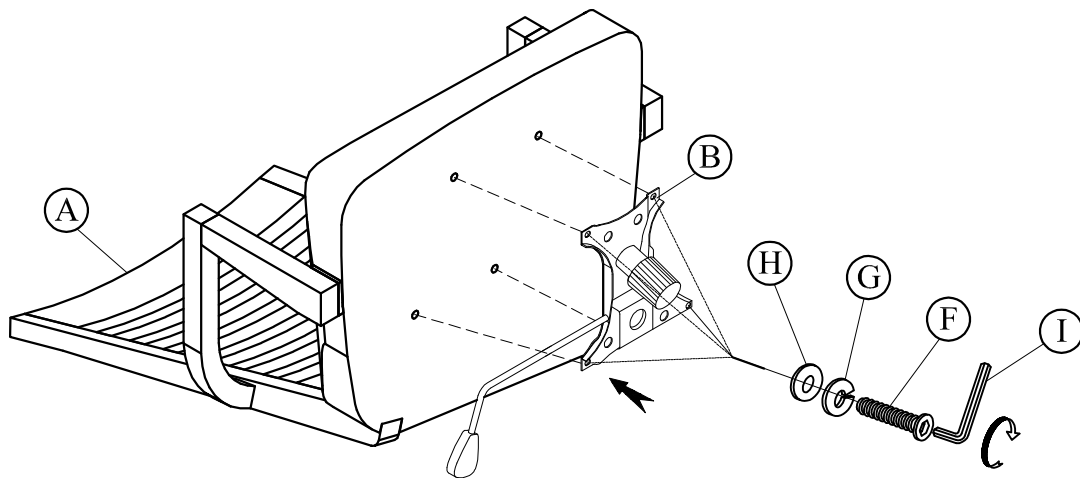


Step 2

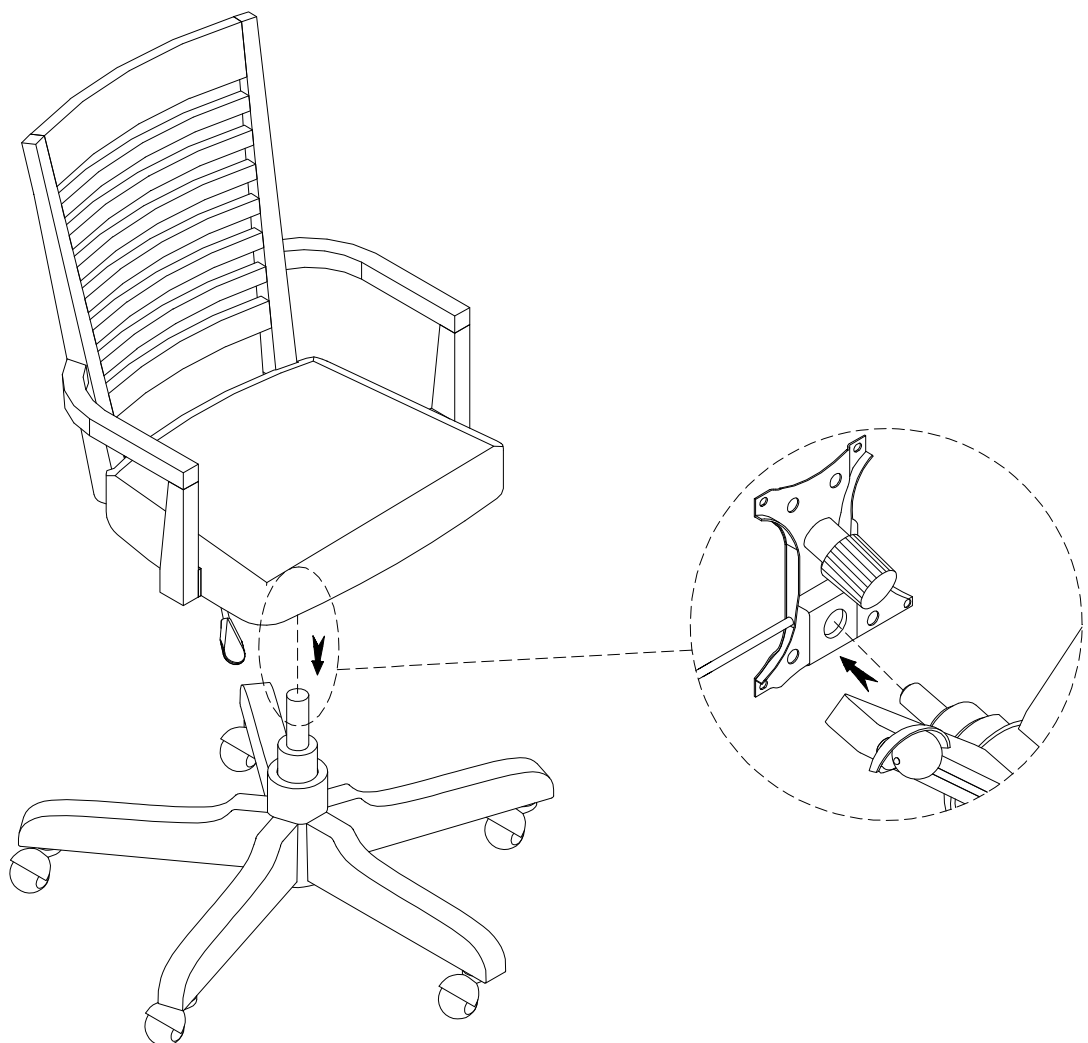
If present, remove the plastic cover from the top end of the cylinder before assembling to seat.



Step 3



Step 4



Note: To prevent possible damage to some types of flooring, never roll casters on unprotected hardwood or vinyl flooring. The lift mechanism is in a locked position for shipping. To unlock, pull straight out on the handle, and then the lift cylinder can be activated by lifting the handle.